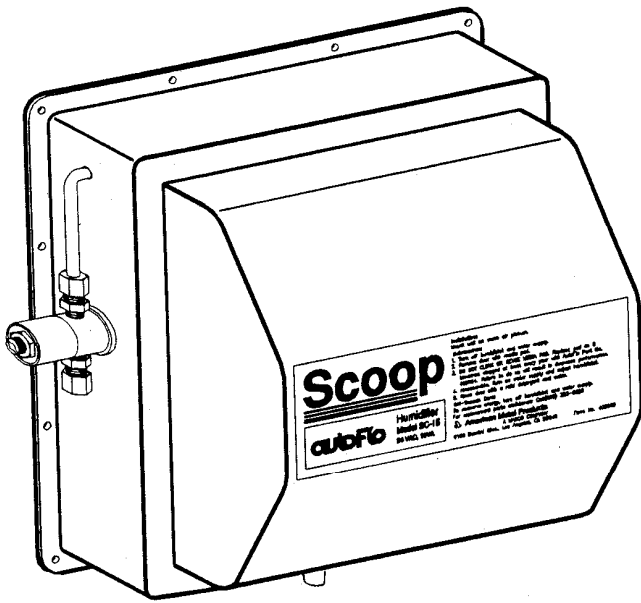


# AutoFlo Model SC-15 Home Comfort Humidifier

*Responsible performance with homeowner designed service simplicity.*

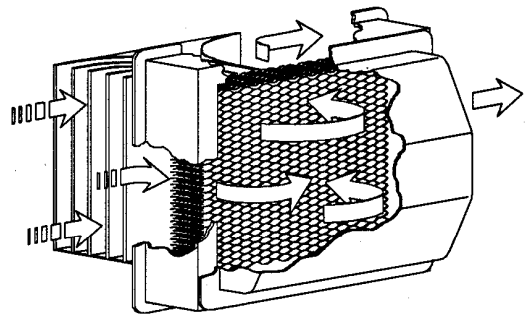
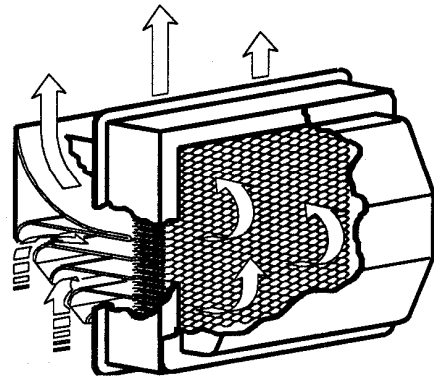


## Exceptional performance.

High capacity 15 gallon output per day for homes up to 2,000 square feet. Low on maintenance. No moving parts, all plastic housing. Simple installation with only one plenum hole to cut.

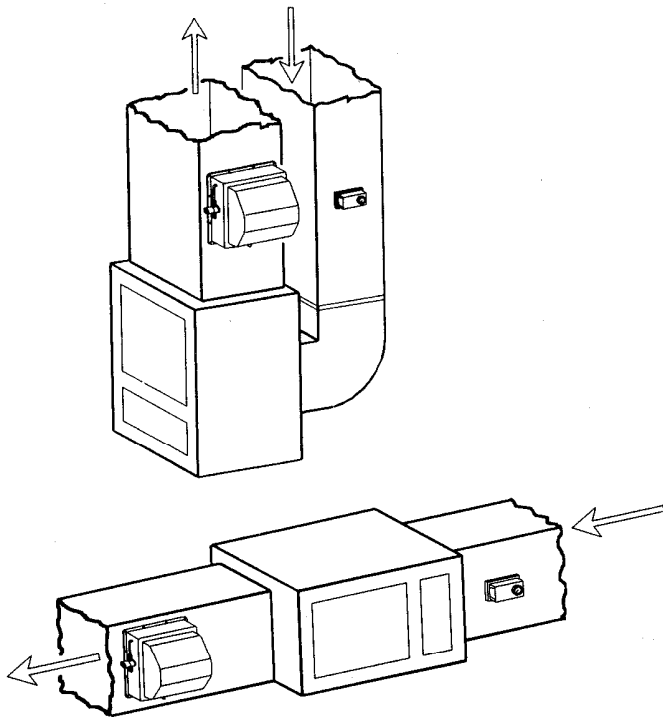
## AutoFlo Humidifier's Work. Here's How.

Revolutionary concept. The Scoop flow-through drain type humidifier, literally scoops up furnace air through the high capacity media pad and returns the moist air back into the heating system. Unique square door allows the louvers and pad to be turned for either vertical or horizontal applications.



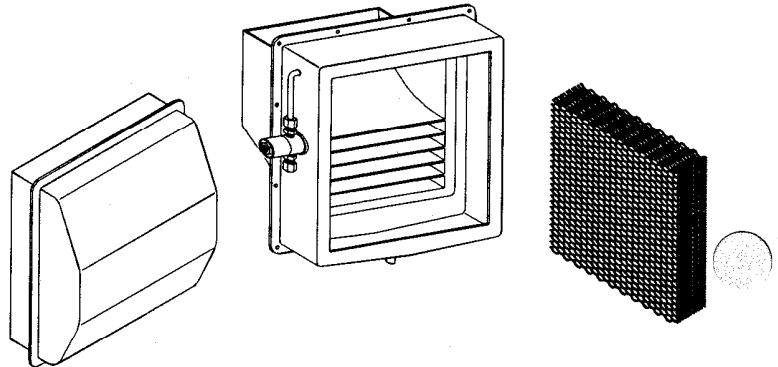
# With any forced air furnace, the AutoFlo Model SC-15 is all you need

## Typical Installation



## Model SC-15 Service Parts

Part No.	Description
SC-EP	Evaporator Pad
312024	Solenoid Assembly
20022	Transformer
062000	Humidistat
01180A	Saddle Valve Assembly



## Specifications:

**Electrical:** 24 Volt  
**Dimensions:** 13 $\frac{3}{4}$  x 13 $\frac{3}{4}$   
**Plenum Opening Size:** 11 x 11  
**Weight:** 15lbs.  
**Capacity:** 15.0 Gallon Per Day  
 (Rated in accordance with A.R.I. standards.)

