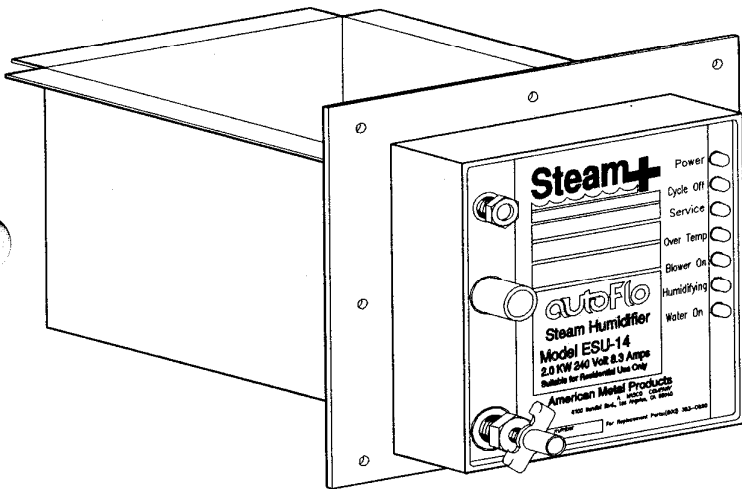


autoflo® STEAM + Models ESU-14 & ESU-20 Power Humidifier

Tomorrow's Humidifier Today!



No moving parts! Limited maintenance.

Seven light panel indicates all necessary service and operation data.

This "smart" design allows the entire operation to be completely monitored by a microprocessor chip assuring greater built-in safety & reliability.

This new advancement in technology is fully electronic. UL listed humidifiers, Models ESU-14 and ESU-20, are built for maximum effectiveness now and in the future.

These new steam humidifiers function efficiently with conventional type furnaces and are ideal for low temperature heat pumps and electric forced air furnaces. The ESU operates the furnace blower independently of the furnace.

ESU-14 Recommended for homes up to 2400 square feet.

ESU-20 Recommended for homes up to 3200 square feet.

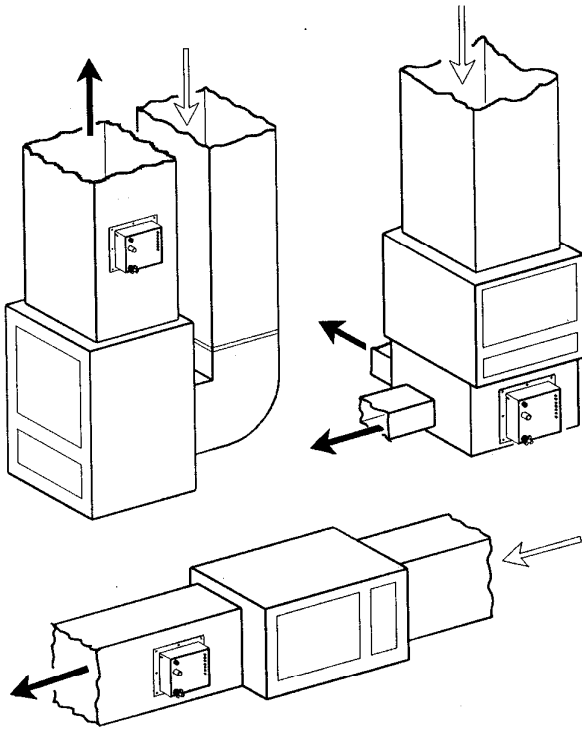
Optional: Under Duct Adaptor to install on bottom of supply or return ducts.

autoflo HUMIDIFIER

Models ESU-14 and ESU-20

The latest advance in steam humidifiers

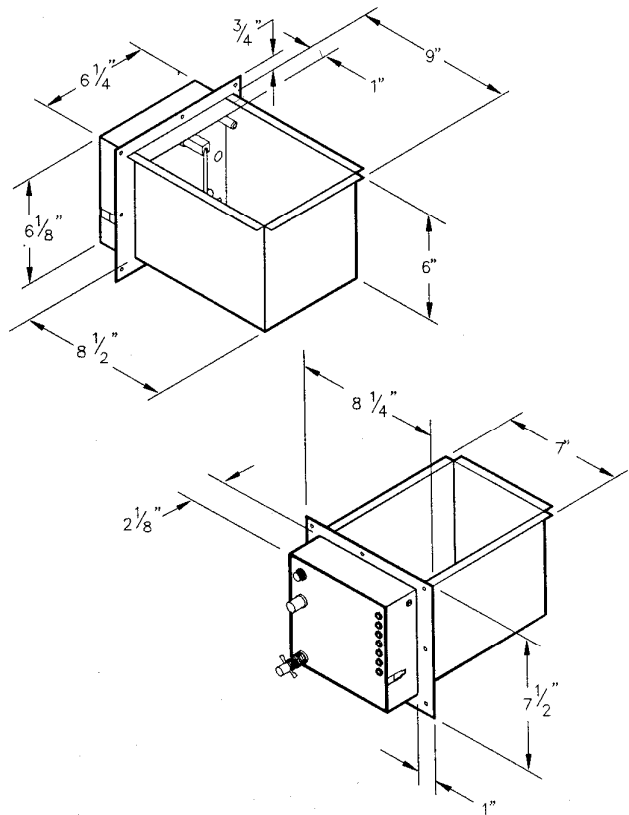
Typical Installation



Replacement Parts

Part No.	Description
402105	120 volt heater assembly
402106	240 volt heater assembly
402107	120 volt solenoid valve assembly
402113	240 volt solenoid valve assembly
402108	120 volt circuit board assembly
402109	240 volt circuit board assembly
402110	Thermistor probe assembly
402111	Water level probe assembly
402112	Quick disconnect cable
402088	Under duct adaptor

Dimensions



Specifications:

Construction: 18 Gauge Stainless Steel

Water Vapor Output:

Model ESU-14: 14 Gallon Per Day

Model ESU-20: 20 Gallon Per Day

Weight: 9 lbs.

Electrical:

Model ESU-14: 1.4 KW, 120 Volt, 15 amps

Model ESU-20: 2.0 KW, 240 Volt, 10 amps

Plumbing:

Saddle valve and water inlet with 1/4" compression fittings. Removable drain cap with valve. Overflow fittings accept 5/8" ID automobile heater or dishwasher drain hose.